

POWERHOUSE™ HTD®

TIMING PULLEYS

5 mm Pitch

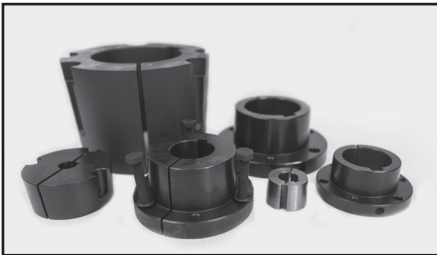
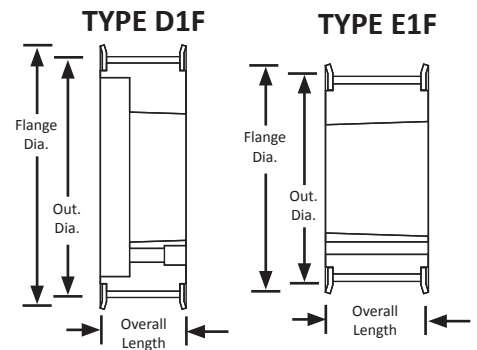
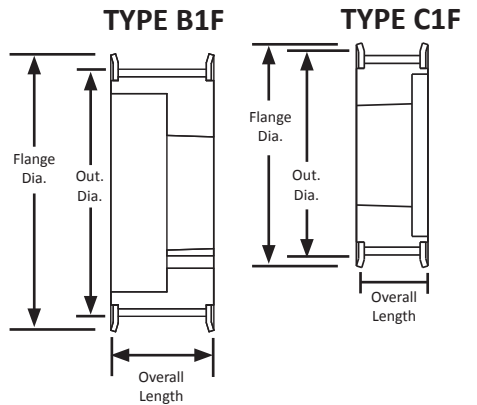
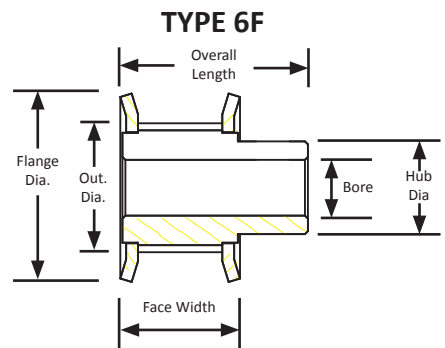
For 25 mm Wide Belts

Steel/Iron

Black Oxide Plating



Part Number	No. of Teeth	Type	Pitch Dia. (in)	Out. Dia. (in)	Flange Dia. (in)	Bore / Bushing	Face Width (in)	Overall Length (in)	Hub Dia. (in)
32-5M25-6FS6	32	6F	2.005	1.960	2.125	0.500"	1.230	1.730	1.550
34-5M25-6FS6	34	6F	2.130	2.085	2.375	0.500"	1.230	1.730	1.680
36-5M25-6FS6	36	6F	2.256	2.211	2.375	0.500"	1.230	1.730	1.800
QD38-5M-25	38	E1F	2.381	2.336	2.625	JA	1.230	1.230	-
QD40-5M-25	40	E1F	2.506	2.461	2.750	JA	1.230	1.230	-
QD44-5M-25	44	E1F	2.757	2.712	3.094	JA	1.230	1.230	-
QD48-5M-25	48	B1F	3.008	2.963	3.330	JA	1.230	1.230	-
QD52-5M-25	52	B1F	3.258	3.213	3.566	JA	1.230	1.230	-
QD56-5M-25	56	D1F	3.509	3.464	3.800	SH	1.230	1.230	-
QD60-5M-25	60	D1F	3.760	3.715	4.044	SH	1.230	1.230	-
QD64-5M-25	64	D1F	4.010	3.965	4.170	SH	1.230	1.230	-
QD68-5M-25	68	C1F	4.261	4.216	4.520	SDS	1.230	1.230	-
QD72-5M-25	72	C1F	4.511	4.466	4.670	SDS	1.230	1.230	-
QD80-5M-25	80	C1F	5.013	4.968	-	SDS	1.230	1.230	-
QD90-5M-25	90	C1F	5.639	5.594	-	SDS	1.230	1.230	-
QD112-5M-25	112	D2	7.018	6.973	-	SDS	1.230	1.230	-



For matching QD® bushings, see page 328.

Instead of doing the calculations and referencing dozens of pages of belt length tables, visit our website at www.bbman.com to take advantage of the convenience of our easy-to-use Belt Length Calculator. It is a free service designed to be a clear, accessible, and quick tool to choose a belt to fit your needs.